



Quality with tradition:
Hettich

Technik für Möbel



Quality – key brand value at Hettich

Focus on quality

The quality of our products extensively determines the perceived value and functionality of furniture. We take this responsibility very seriously. The entire product development chain at Hettich is underlined by effective quality management processes. From the raw material to the finished product.

The guiding principle behind our quality management regime: avoiding mistakes rather than ironing them out. This expectation comes alive through "quality" management responsibility and that of our qualified staff: their pronounced awareness of quality and technical expertise guarantee the outstanding quality of our products.





For the customer. With the customer.



You and us: quality in a nutshell

Our customers and their demands are always part of our quality strategy. Together with them, we identify the demands on the products in hand. And we discuss new ideas and solutions. This is often the path to innovations and a competitive edge for the customer's product.

Additional services for the customer also are part of our quality initiatives. Application advice, product selection and dimensioning, CAD tools and much more besides. Just-in-time or just-in-sequence delivery provides the perfect basis for integrating our services into the logistics of the customer's value chain.

Hettich: prevention our core model

Product development process

Early compliance with customer demands



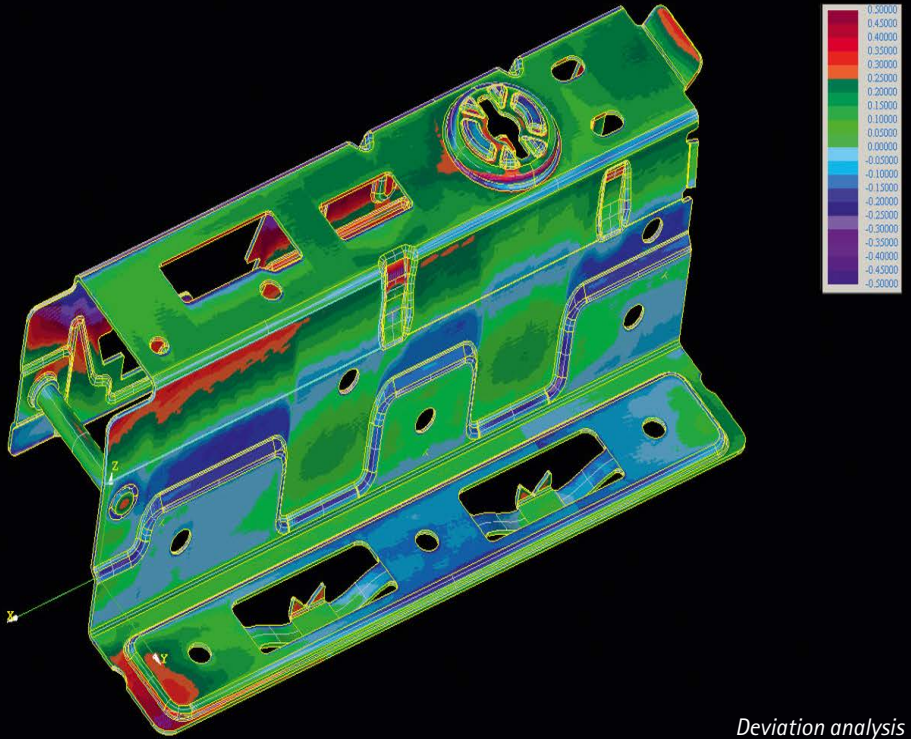
Quality: the DNS of all Hettich products

All Hettich products are made in close cooperation between the centres of excellence of marketing and sales, research, development, procurement, production and quality management. Quality gates systematically track the product development process and make it measurable.

Preventive quality management

Hettich products undergo stringent testing even while they are being developed. This results in the reliable product quality you have come to know from Hettich. Hallmarks: superb functionality and exceptionally long lasting performance.

Quality: as standard



Deviation analysis



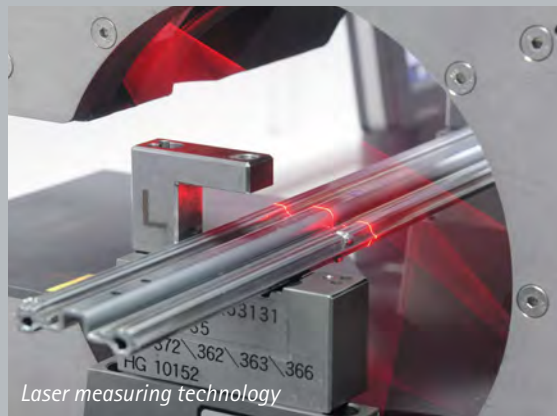
*Analysis of bubbles
of a prototype part
(pre-series)*

Anyone wanting to ensure quality must be in control of the processes that are involved. At Hettich, we leave nothing to chance:

- Procedures for approving all manufacturing processes
- Production level validation tests reflect the state of the art - usually in the form of automated testing
- Permanent transparency for monitoring measurement process values from employee to executive



Coordinate measuring technology



Laser measuring technology

Our testing processes

Hettich products meet the highest demands on quality. Hettich products undergo regular testing to ensure consistent quality over a prolonged period of production. This is where our internal laboratory cooperates with external testing institutes.

Performance and endurance tests

Testing the serviceability and durability of Hettich products is a key aspect in developing our products. Strength, wear resistance and product safety is verified in comprehensive endurance tests. One example: drawers or hinges are put through a large number of closing and opening cycles reflecting many years of use.

Installation and assembly tests

Easy, secure installation and convenient adjustment are among the benefits customers get from our products. Extended product tests in Hettich's laboratories virtually rule out incorrect installation and the associated safety risks.

Safety tests

Product safety is extremely important to us. Hettich fittings and the furniture they are used in must form a safe unit that presents no risk whatsoever to the end user. Comprehensive overloading tests carried out as early as the product development phase let us reveal and eliminate potential hazards early on – also in respect of our products being used incorrectly. This is how we protect the consumer from potential safety risks.

Alternating climate tests

During their life, our products are exposed to all sorts of environmental impacts, such as climate stress in storage, transit and use. These can affect the performance, useful life and reliability of products. Alternating climate tests simulate the environmental impacts to be expected on them around the world: condition, performance and failure of test objects are tested at various temperature and air humidity levels.



Condensation water test



Product testing



Endurance test

Our testing processes



Surface analysis



Measurement



Durability tests

Corrosion tests

Extreme environmental impacts, such as temperature, humidity and corrosive media, can impair the appearance and performance of materials and protective coatings. Corrosion tests, such as the condensation and salt spray test, test whether product surfaces provide adequate resistance to aggressive environmental impacts at an accelerated pace, so to speak.

Surface tests

The most exacting demands are also placed on the look of Hettich products. Product surfaces must be hard wearing and robust in everyday use. Hettich paves the way to surfaces optimised for demanding applications in abrasion and scratch tests as well as tests for chemical resistance.

Transportation tests

Hettich products are used across the globe – involving long shipping distances. Packaging tests and shipping simulations, e.g. vibration and oscillation tests, drop and shock tests, are carried out to deal with potential stress and strain during transportation. The degree of stress and strain is geared to chosen means of transport (road, water, container etc.) and transport routes.

Ergonomics tests

Hettich fittings are intended to be user friendly and make everyday life easier. Ergonomic criteria, such as easy operation and handling, are assessed on prototypes as early as the product development stage. Besides objective measurement values, e.g. for actuation forces, the experience of testing experts helps to develop products that move easily and provide practical convenience.

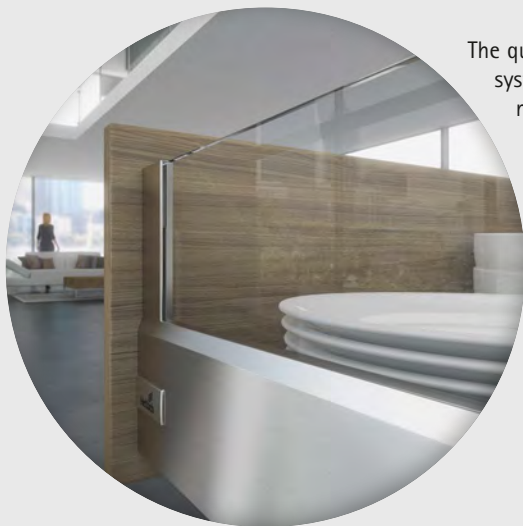


Salt spray test



Test laboratory

Quality criteria for drawer runners and drawer systems



The quality of Hettich drawer runners and drawer systems is subject to a continuous process of monitoring. Hettich reliably meets the quality standards of specific markets and industries.

Hettich drawer systems meet the mechanical, corrosion-related requirements stipulated in furniture hardware standard EN 15338 (level 1, 2 or 3). Fitted correctly and following product information, they meet the requirements on furniture safety under EN 14749.



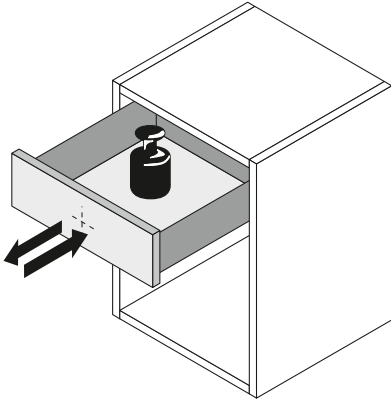
Endurance test



Drawer test rig

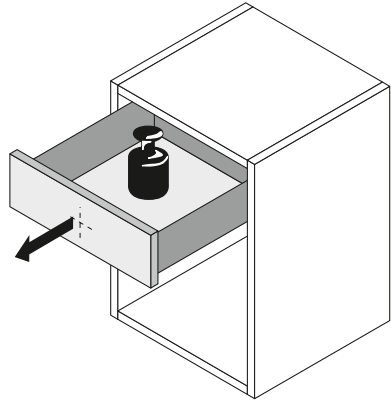
Wear test

The fully laden drawer must remain in proper working order after opening and closing it for a defined number of times at a defined test velocity.



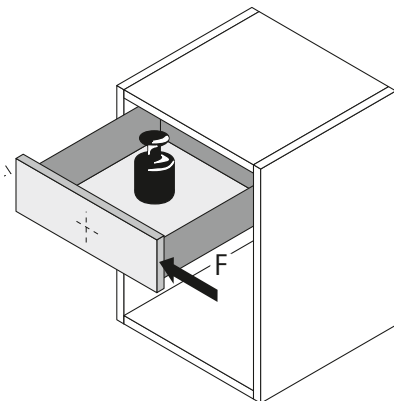
Retention-on-opening test

The fully laden drawer is abruptly opened all the way several times at a defined test velocity.



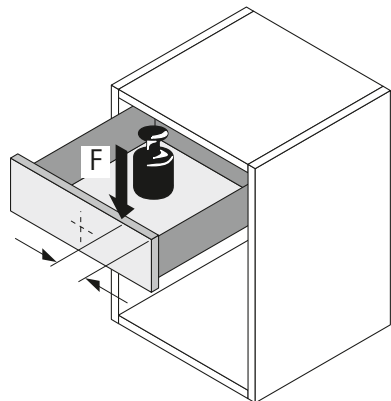
Horizontal load test

Opened all the way, the drawer is additionally exposed to vertical strain from a defined lateral force.



Vertical strain test

Opened all the way, the drawer is additionally exposed to vertical strain from a defined lateral force.



Quality criteria for hinge systems



Hettich hinge systems meet the mechanical, corrosion related requirements stipulated in furniture hardware standard EN 15570 (level 1, 2 or 3). Fitted correctly and following product information, they meet the requirements on furniture safety under EN 14749.



Door lowering



Sensys: reliable performance in any environment

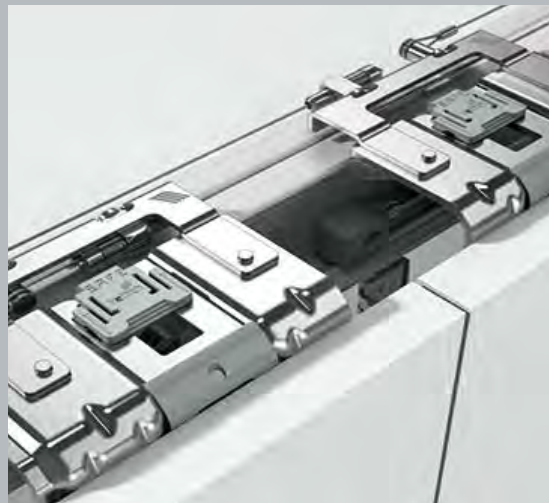
Quality criteria for sliding door systems



Hettich sliding door systems meet the mechanical, corrosion related requirements stipulated in furniture hardware standard EN 15706 (level 1, 2 or 3). Fitted correctly and following product information, they meet the requirements on furniture safety under EN 14749.



Running test



TopLine L - detail

Practising quality

Easy, secure
installation

Quiet, gentle closing
for added home comfort

Focus on ergonomics

Reliable performance

Innovative, convenient
closing functions

High quality material
you can notice

Corrosion protection

Long lasting

Effortless adjustment

Extremely sturdy

Hettich quality is multifaceted. Because we understand what furniture buyers want. And know every last detail our customers do.

You can rely on Hettich quality for this reason too.



German quality you can trust

Quality that impresses

For our customers, the high quality of our products guarantees the reliability and long life of their own products. Our promise is: "**fit and forget**". Once installed, our products simply get on and do their job day after day after day. To leave furniture buyers smiling. And our customers too.



From the quality of fittings to the quality of furniture

Hettich service: as reliable as our products

Proper installation and assembly are also the key to getting Hettich quality into furniture. This is where we can help you: with personal advice from our sales department, with installation instructions and videos ... and with Hettich Service Tools which are available to you on the web whenever you need them. This gives purchasers lasting pleasure from the furniture you produce.

Helpful tips are just a few clicks away on our website:
www.hettich.com/de/online.





Online catalogue: reliable choice

The quick and easy way to find all information on products, applications, dimensions, details, prices and installation. The configurator can be used for putting products together ready for assembly.

Configurator: backing up your concepts

Put your products together quickly and conveniently using the online catalogue configurators. An assistant guides you through each configuration stage. You can open the configurators from the start page of the online catalogue.



HettCAD: planning made easy

This tool lets you import 2D and 3D drawings from the Hettich online catalogue into your own CAD system. Unclear positioning points and dimensions can be defined here with precision.

YouTube: videos providing assistance on use

Use our YouTube channel and get a glimpse of the Hettich world. Our videos show you our latest products, example applications as well as assembly and installation instructions.

www.hettich.com

Technik für Möbel


Hettich